

THERMAL MANAGEMENT

VENTILATION

IP54 AC Filter fan (280-320 m³/h)

Reference:
VF280AC

Technical data:

Voltage:	230 V 50-60 Hz
Air flow with filter:	280-320 m ³ /h
Protection rating:	IP54
Operating temperature:	-20 °C / +70 °C
Service (at 40 °C):	50.000 h
Relative humidity range:	0-95%
Filtration efficiency:	Up to 73%



Noise level:	48-50 dB
Static pressure:	120-135 Pa
Direction of flow:	From exterior to interior
Reversible:	Yes
Electrical connection:	Terminal
Current consumption:	0,26-0,24 A
Energy consumption:	41-38 W
Protection rating:	Impedance

Specifications:

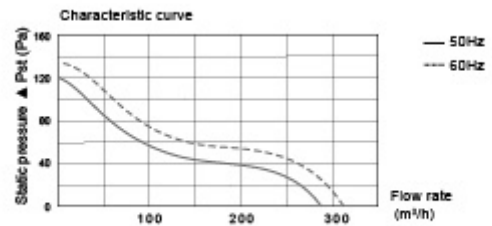
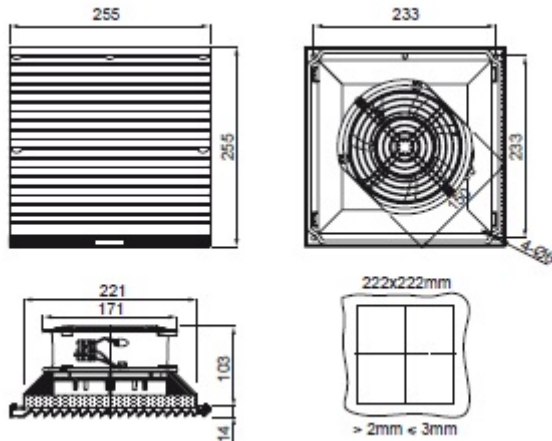
Dimensions:	255x255x117 mm
Thickness of the cabinet wall:	2-3 mm
Cut-off dimensions:	224x224 mm
Colour:	RAL 7035
Material:	ABS. Grille with UV protection.
Filter material:	Nylon fibre 150 gm ³
Bearing:	Ball bearing
Seal:	Autoadhesive polyurethane
Weight:	1,47 kg
Assembly:	Quick-connect clip / Bolts

THERMAL MANAGEMENT

VENTILATION

IP54 AC Filter fan (280-320 m³/h)

Reference:
VF280AC



Codes:

EAN: 8431044250199
Customs tariff number: 85.38.10.00
ETIM 8.0: EC000320

Product end of life:

Product affected by the WEEE Regulation.

Supply:

Supplied in individual cardboard packaging.

Certificates and standards:

Certificates: CE, ROHS

